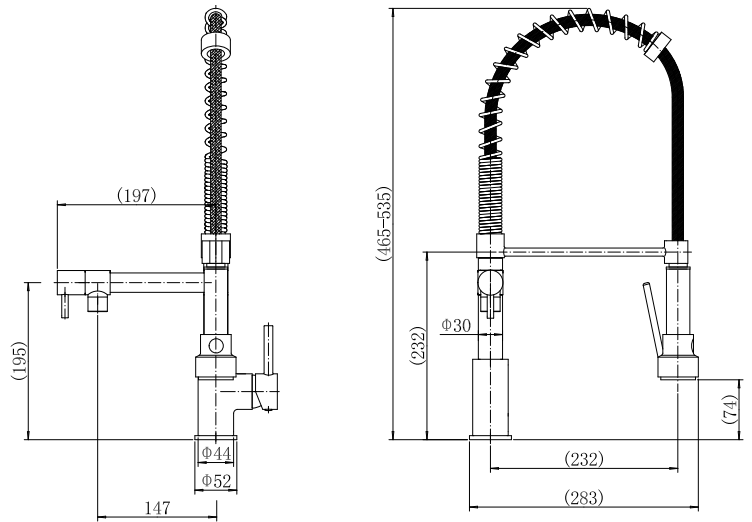


FELIX

Product Code	5011
Minimum Pressure	0.5 Bar
Maximum Pressure	5 Bar
Overall Height	535mm
Spout Exit Height	74mm
Spout Exit Reach	232mm



Colour Finishes



5011B Black



5011BF Brushed Chrome



5011CM Chrome