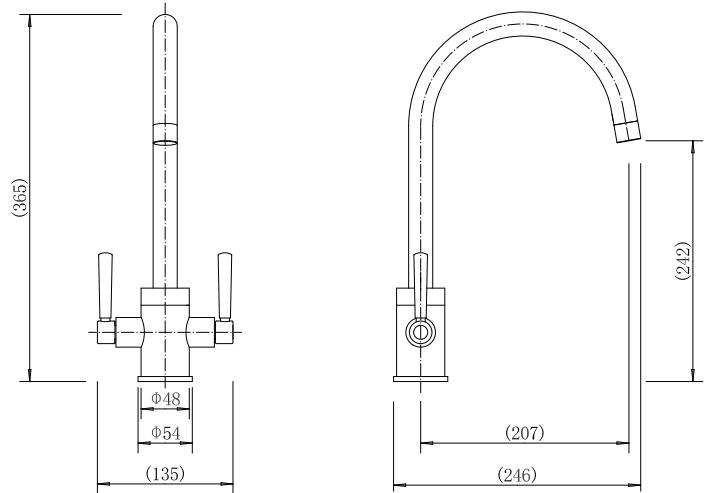


NOA

Product Code	5006
Minimum Pressure	0.2 Bar
Maximum Pressure	5 Bar
Overall Height	362mm
Spout Exit Height	239mm
Spout Exit Reach	207mm



Colour Finishes



5006B Black



5006BB Brushed Brass



5006BC Copper



5006BF Brushed Chrome



5006CM Chrome